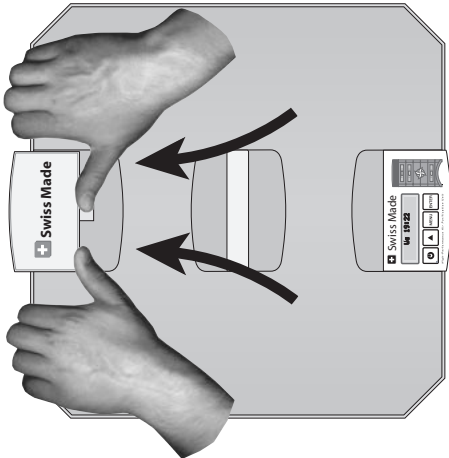


Replacing Your Pre-Filter

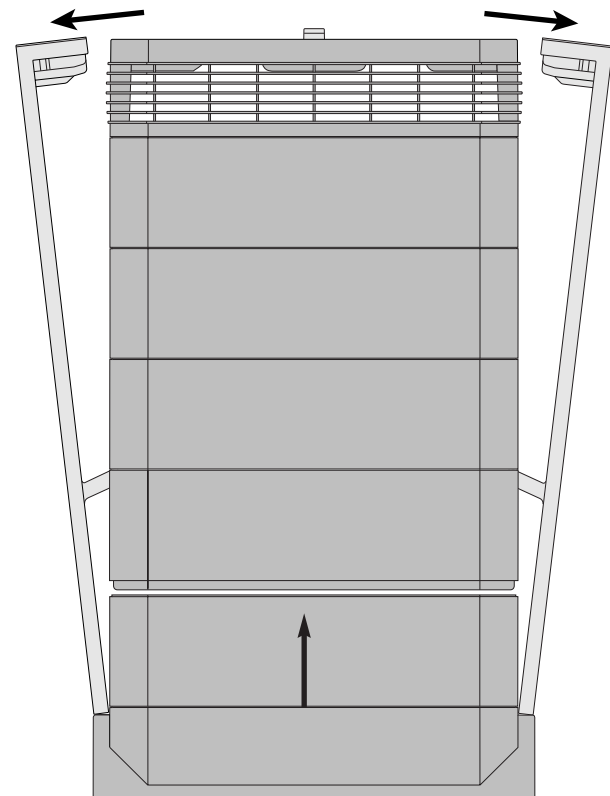
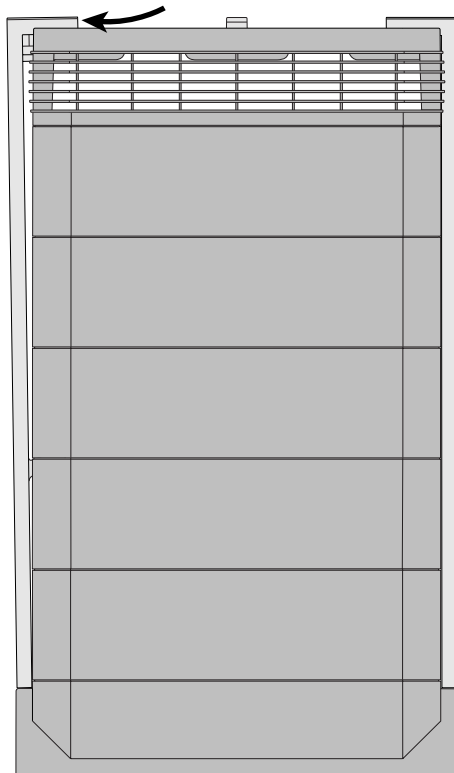
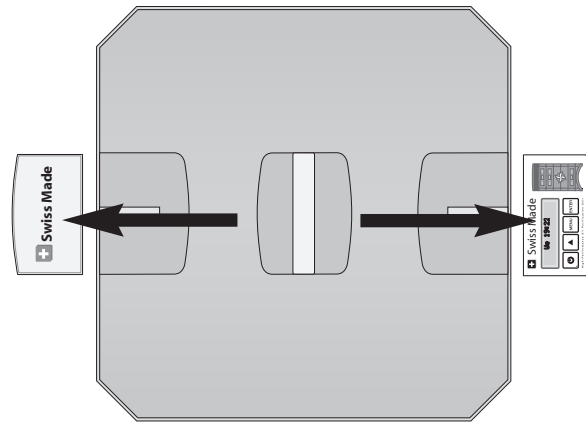
I. Opening the Air Cleaner Housing

The stacked housing elements are held together by two locking arms that hook into the diffuser from opposite sides. To open your air cleaner, follow the steps below.

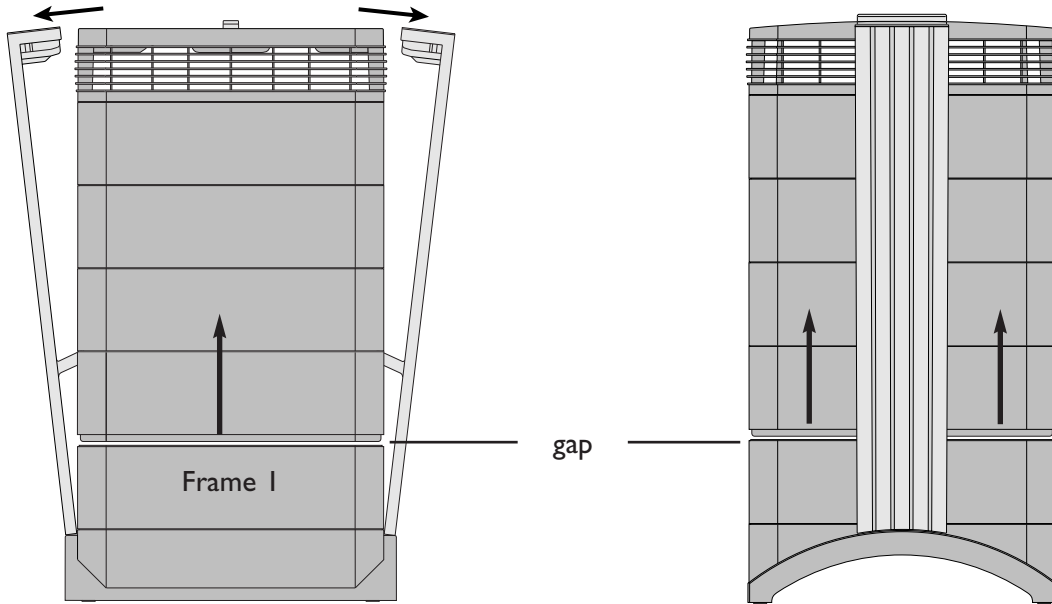
- A.** Disconnect your air cleaner from the power supply before attempting to open the unit. Press the first locking arm outwards, using both thumbs as shown below. Press just hard enough to release the arm from its snap-in position in the diffuser. Disengage the other arm in the same way.



- B.** Pull both locking arms evenly toward the outside until they click into place. The top five modules of the air cleaner housing will now be lifted from the two lower modules, resting on the arm extensions. The air cleaner will remain in this open position without any further action.

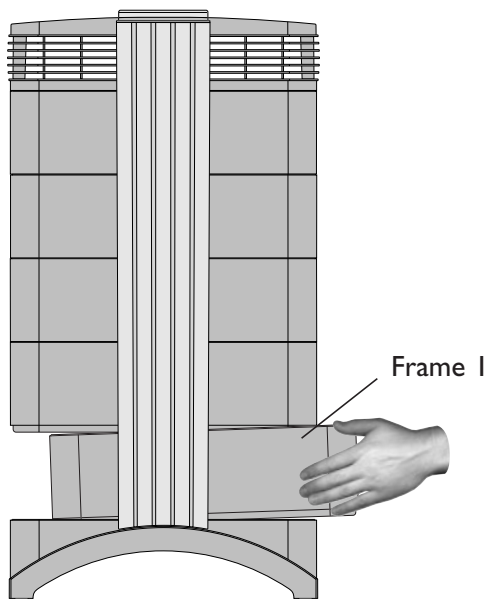


2. Replacing the Pre-Filter (Filter I)

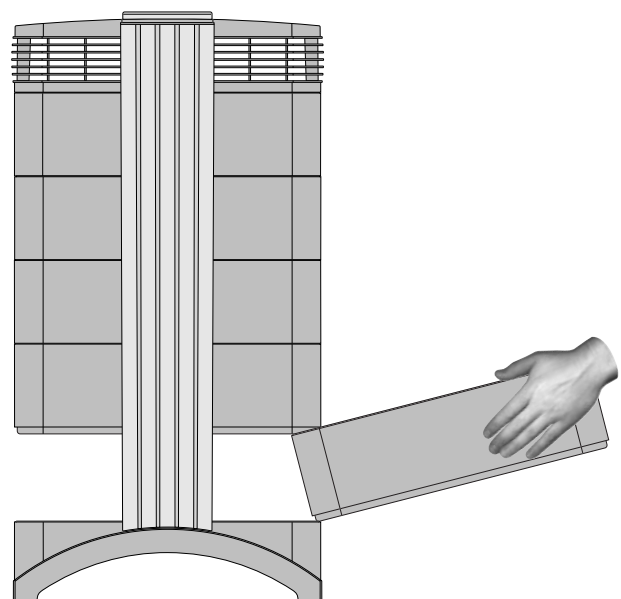


A. Open the locking arms, making sure they are fully extended outward.

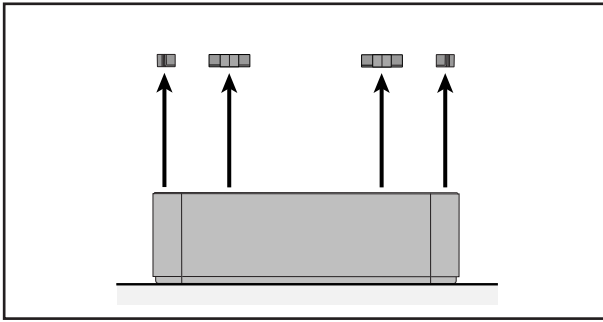
B. Opening the arms will cause the upper part of the housing to separate from Frame I. This will leave a narrow gap.



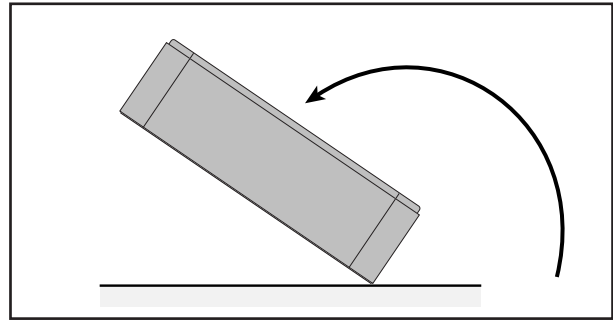
C. Place your hands on opposite sides of Frame I and pull it out slowly.



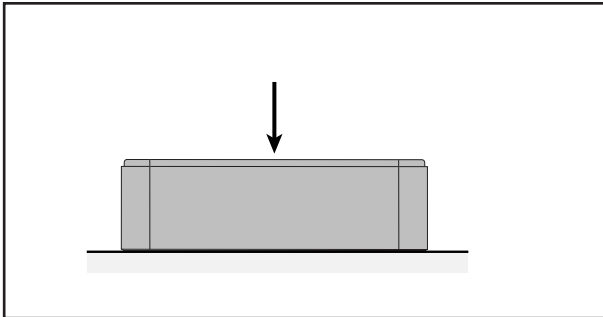
D. As the frame is withdrawn from the unit, tilt it progressively upward to remove it completely.



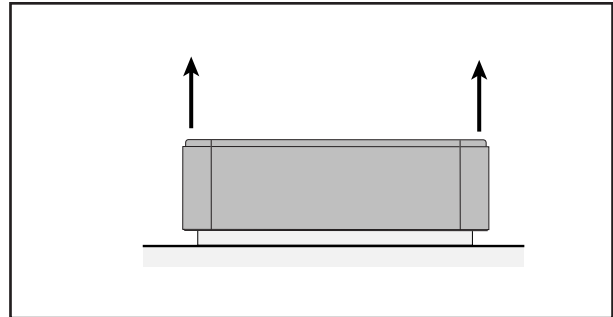
E. Remove the eight filter clamps that secure the filter in the frame.



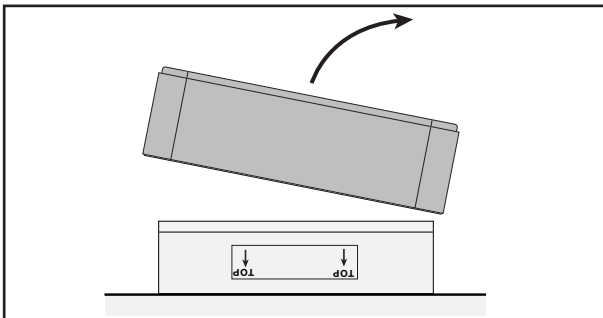
F. Turn the frame upside down.



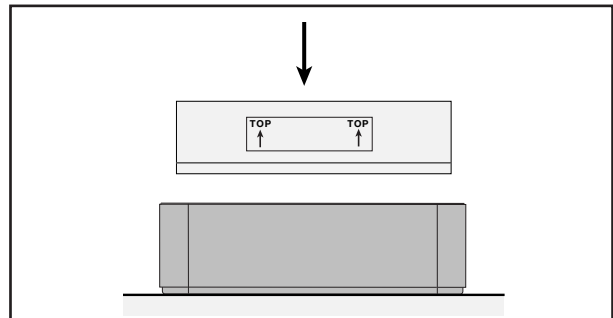
G. With the palm of your hand, press down on the filter element and loosen it from the frame.



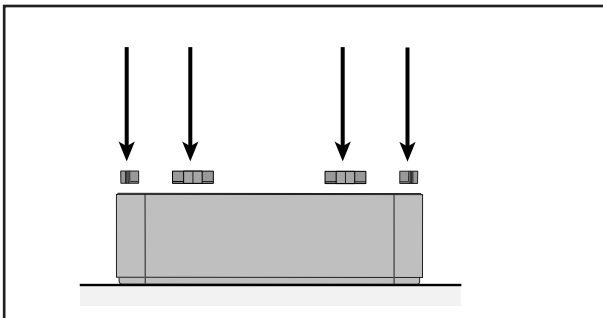
H. Lift the frame from the filter element.



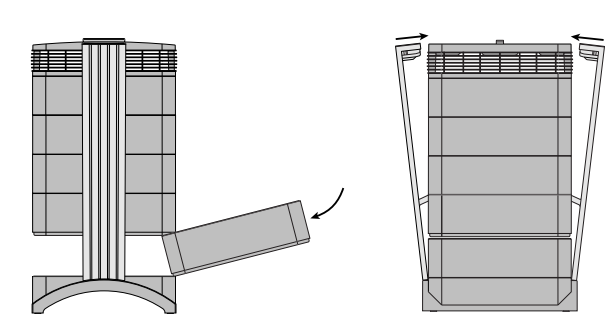
I. Dispose of the used filter by placing it into the plastic bag in which the new filter is supplied.



J. Turn the frame around and insert the new filter. Ensure that the arrows on the pre-filter label point upward.



K. Make sure that the filter is inserted all the way into the frame. Insert the clamps into the sliding grooves inside the frame and push them down.



L. Put the frame back into the housing, making sure the arms are fully extended outward.

Used pre-filter elements can normally be added to the regular garbage for disposal. Only when the air cleaner has been exposed to potentially hazardous substances may these filters have to be disposed of as hazardous waste.

3. Resetting the New Filter Menu

The New Filter Menu allows you to reset the filter life counter for a newly replaced filter element. As a result, the appropriate filter life LED on the control panel will be reset to green and the hour count in the Remaining Filter Life Menu will be reset to the full life span of the new filter element.

Resetting the filter life counter will also make the “Replace Filter” warning disappear from the main display window.

1. To reach the New Filter Menu from the main display window, press the **Menu** key seven times.
2. Press and hold down the **Enter** key until the flashing “I” appears.
3. Press the **Enter** key to confirm that Filter 1 (the pre-filter) has been replaced. To safeguard against inadvertently resetting the life of the wrong filter, you will be prompted to reconfirm your selection. The filter life LED for the appropriate filter is now flashing red.
Note: If the wrong filter has been selected, or if you wish to exit the enter mode, simply press the **Menu** key. This will leave the filter life controller unaffected.
4. To confirm the filter change and exit the New Filter Menu, press the **Enter** key.
5. To check the life span of the newly installed filter after having reset the controller, simply go to the Remaining Filter Life Menu and select the appropriate filter number.

Main display window



New Filter Menu window

